

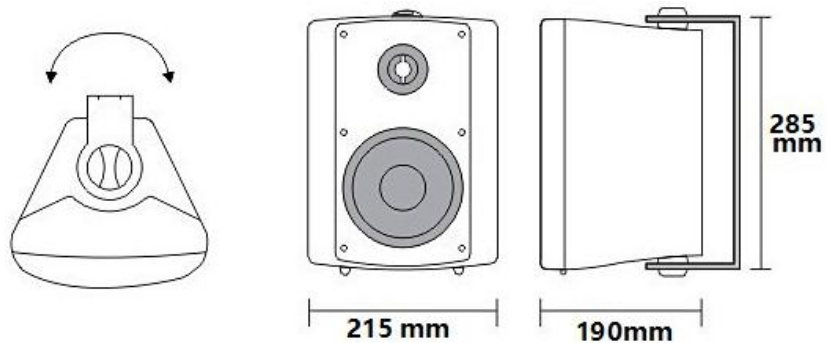
Feature:

- Commercial PA system Indoor wall-mounted speaker.
- Ideal for school, office, hotel, shop, factory and airport background music system.
- Built-in 100V/70V transformer.
- 6.5"x1 woofer and 1"x1 tweeter, two way speaker units.
- Power RMS 40W @100V, Maximum power: 80W.
- Material: Metal grille, ABS enclosure and stainless mounting bracket.
- Color: white or black.
- Easy installed by supplied stainless mounting bracket.

Specification:

Model	SP-WE640
Description	Two Way Wall-Mounted Loudspeaker
Rated Power	40W(100V), 20W(70V)
Line Input	100V/70V
Transformer Impedance	Black: Com, Red: 250Ω
Frequency Response	100Hz-15KHz
SPL(@1W/1M)	92dB±3dB
Speaker Unit	6.5" woofer and 1" tweeter
Material	Metal grille, ABS enclosure and stainless mounting bracket
Color	White or Black
Mounting Method	Easy installed by supplied stainless mounting bracket and screws
Dimension/Net Weight	215x285x190mm(H*W*D), 3.73 kg/pc
Package	44*24*33.5cm, 2pcs/ctn

Dimension and Mounting:



Frequency Response & SPL Diagrams:

