

# USERS MANUAL

## MIXING AMPLIFIERS

Please read the manual carefully before using this equipment.

### Mixing Amplifier/6 zones/MP3



Professional quality. Ideal for sound.

## Important Safety Instruction



The lightning sign inside the triangle warns users that there is uninsulated "dangerous voltage" in the enclosure of the product, which may cause electric shock to human.



The Exclamation point inside the triangle warns users to pay attention to the important instructions for operation and maintenance attached to the product.

- 1) Read the manual
- 2 Keep the manual
- 3 Pay attention to all warning.
- 4 Follow all instruction.
- 5 Do not use the equipment near water.
- 6 Only clean with dry cloth.
- 7 Do not block any ventilation hole. Install according to the manual.
- 8) Do not install near any heating sources, such as heat sink, heater, stove, etc.
- 9 Never compromise the safety features of power plugs with polarity or grounding. In the plug with polarity, one pin is wider than the other. In the plug with grounding, there are 2 pins and another pin for grounding. The wider grounding pin is designed for safety reason. If our plug does not fit your socket, please contact electricians to replace the socket.
- 10 Protect the power cable from being stepped on or extruded, especially the plug, socket or cable outlet part.
- 11 Only use the accessories provided by manufacturer.
- 12 Only use the trolley, brackets, or table suggested or provided by the manufacturer.  
When using trolley, please move carefully to avoid falling off and hurting anyone.
- 13) In the case of thunder storm or not using for a long time, please unplug the equipment.
- 14 Please ask qualified personal for maintenance of the equipment, in the cases such as damage, leaking, other article falling inside, exposure in rain or humid air, malfunction or falling off, etc.
- 15 To cut off the equipment from AC power, please pull off the power plug from the socket.
- 16 The main power plug of the power supply should be ready for usage anytime.



Warning: to avoid fire or electric shock, do not place the equipment in rain or humid air.

- 18 Make sure no water drops inside the equipment. Do not place any water holder (eg. Vase) on the equipment.
- 19 Make sure of at least 6 inch (15.25cm) space above the equipment for good ventilation and cooling.
- 20 Attention: For amplifiers mounted in racks, all cables and materials should keep away from its sides. Before taking it out from the rack case, please cool it for 2 minutes.
- 21 Amplifier and speaker system, as well as earphone/headphone (if provided) can generate high sound pressure level, which may cause temporary or permanent damage to hearing. Please set the volume carefully.
- 22) FCC conformity declaration: this equipment conforms the class B mathematics device limit in chapter 15 of FCC. The purpose of the regulation is to provide reasonable protection against possible dangerous interference during installation in residence area. This equipment generates, uses and radiates RF energy. Not following the manual in operation and installation may have negative interference to radio communication, but we can not make sure that there is no such interference in special situation. If we confirm by turning on and off the equipment, there is indeed interference to radio communication. We suggest to eliminate it by following measures: adjust the direction or position of the receiving antenna. Increase the distance between the equipment and receiver. Connect the equipment to a different socket from the receiver. For more assistance, please contact the distributor or experienced radio technician. Remark: FMIC does not take responsibility for the product modifications which violate the FCC regulation and/or cause invalidity of the certification.
- 23 Warning: For safety, products with batteries inside or outside should not be exposed to high temperature, such as the sun or fire. Wrong replacement/installation of batteries has the danger of explosion. Only replace the same or similar batteries suggested by manual.
- 24 Attention: unplug the equipment and cool it before touching or replacing electron tube.
- 25 Warning: before connecting the line plug to lines, please make sure it is grounded. Likewise, when disconnecting grounding, please make sure line plug is disconnected.
- 26 Equipments with class 1 structure (3-pin plug grounding) must connect to MAINS socket with connection protection.

Preface

Thank you for purchasing our product. We manufacture amplifiers, including 3 series, mixing amplifiers with 6 zones, as well as amplifiers with Mp3 player, providing various choices for users. The products are practical and reliable, and receive a lot of popularity among customers. We will continue to provide high-quality products and services for you.

Safety Instruction	2
Product Introduction	3
Introduction of mixing amplifiers	4
Introduction of mixing amplifier with zone.	5
Introduction of mixing amplifier with zones and Mp3 players	6
Installation guidance	7
Product Specification	8



**WARNING!**

TO REDUCE THE RISK OF FIRE OR ELECTRIC SHOCK  
DO NOT EXPOSE THIS EQUIPMENT TO RAIN OR MOISTURE.



This symbol is intended to alert the user to the presence of uninsulated dangerous voltage within the products enclosure that may be of sufficient magnitude to constitute a risk of electric shock to persons.



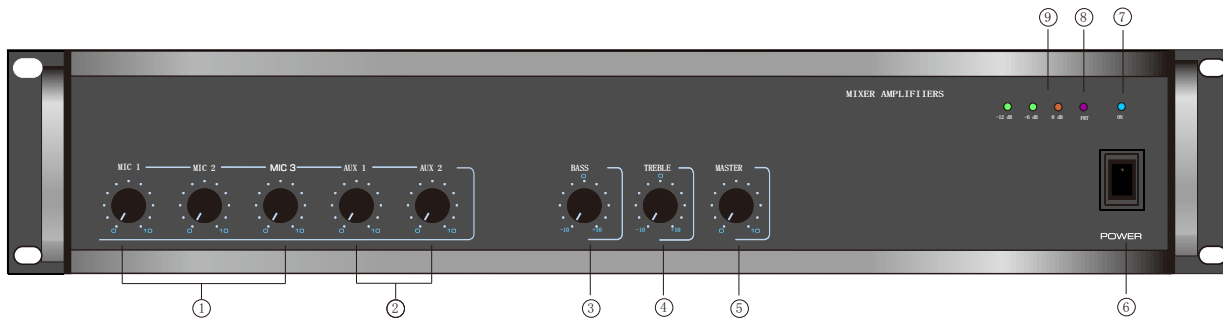
This symbol is intended to alert the user to the presence of important operational and maintenance (servicing) instructions in the literature accompanying the appliance.

**Caution:**

To prevent electric shock do not use this (polarised) plug with an extension cord, receptacle or other outlet unless the blades can be fully inserted to prevent blade exposure. To prevent electric shock, match wide blade of plug to wide slot, fully insert.

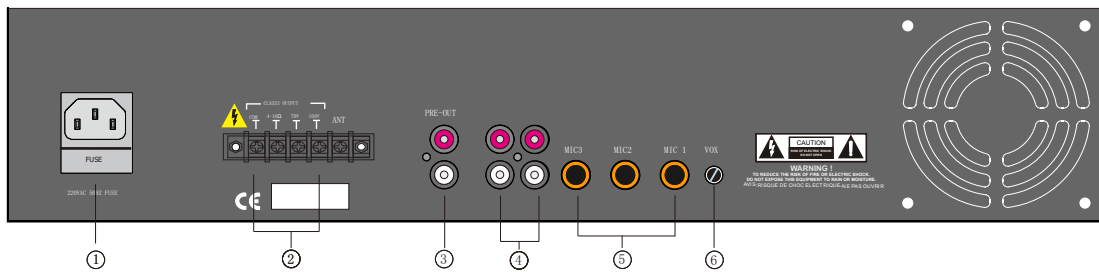
# Introduction of mixing amplifier

## Front Panel



- |   |  |  |
|---|--|--|
| 1 3 MIC inputs with volume controller                                   | 2 2 channel inputs with volume controller. | 3 Low frequency gain adjustment, increase attenuation $-/+10\text{DB}$ |
| 4 High frequency gain adjustment. Increase attenuation $-/+10\text{dB}$ | 5 General output volume controller.        | 6 Power Switch   |
| 7 LED for power   | 8 LED for protection                       | 9 LED for signal level   |

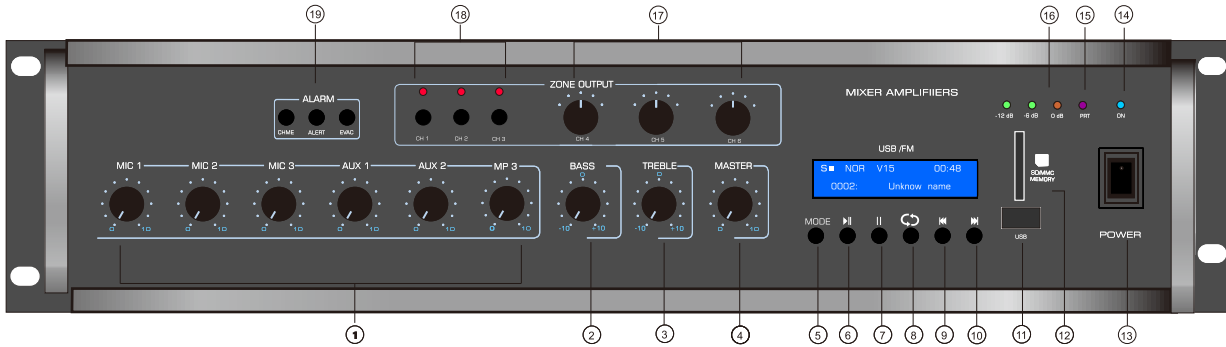
## Back panel



- |                  |                      |                    |
|------------------|----------------------|--------------------|
| 1 AC Power input | 2 4-16Ω or 70V/100V  | 3 Signal output    |
| 4 AUX input      | 5 3 MIC signal input | 6 Priority control |

# Introduction of mixing amplifiers with zones

## Front Panel

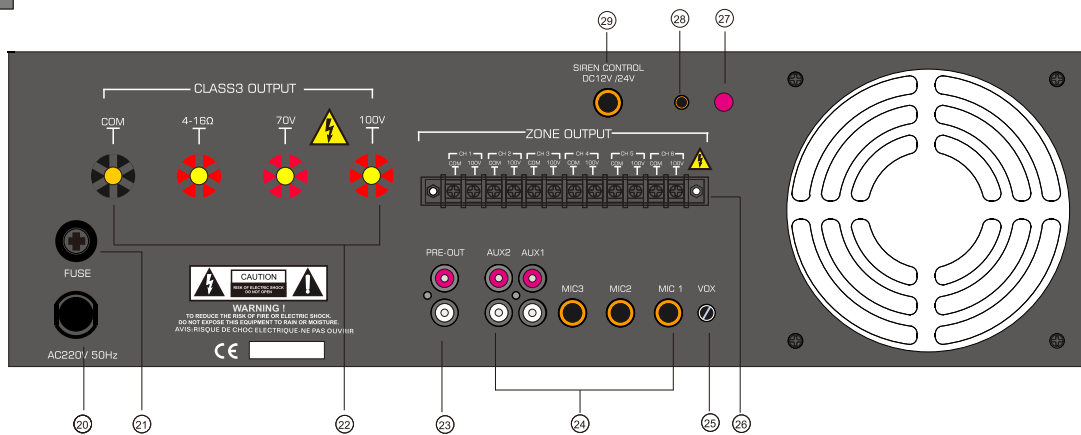


- |    |   |    |   |    |  |
|----|---|----|---|----|--|
| 1  | 3 MIC inputs with volume controller<br>2 channel inputs with<br>Volume controller for MP3 | 2  | Low frequency gain adjustment, increase<br>attenuation $-/+10\text{dB}$ | 3  | High frequency gain adjustment.<br>Increase attenuation $-/+10\text{dB}$ |
| 4  | General output volume controller  | 5  | Modes(FM, Blue tooth, USB/SD)   | 6  | Pause/ Play  |
| 7  | Stop  | 8  | Playing modes(Single, Loop, Repeat )                                    | 9  | Previous track   |
| 10 | Next Track  | 11 | USB input   | 12 | SD card input  |
| 13 | Power Switch  | 14 | LED for power   | 15 | LED for protection   |
| 16 | LED for signal level  | 17 | 3 zones with volume controller  | 18 | 100V zones control output  |
| 19 | Controller for emergency evacuation<br>Controller for alarm signal Controller for chime   |    |   |    |  |

### Remark :

Play Mp3, Blue tooth, FM tuner, insert USB/SD, play tracks automatically, press (●) for FM, Blue tooth. Press once for FM, and press (●) to search programs. It saves programs automatically. Press (● or ●) to choose program. Press (●) to switch to blue tooth function.  
 1. BLUE:BT NOT LINK. open blue tooth in mobile phone choose BT-SPEAKER and click it to match. After it is matched, the LCD screen on amplifier shows BLUE:CONNECTING. Open the playing APP in mobile phone, choose songs, turn up Mp3 volume, and it can play music. The effective distance is 6-10 meters.

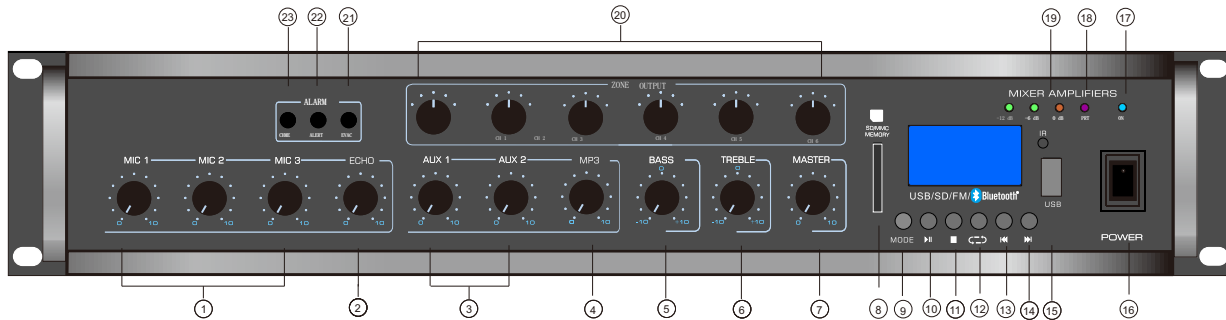
## Back panel



- |    |  |    |                              |    |                                 |
|----|--|----|------------------------------|----|---------------------------------|
| 20 | AC Power input                                 | 21 | FUSE                         | 22 | 4-16Ω or 70V/100V               |
| 23 | Signal output                                  | 24 | AUX input 3 MIC signal input | 25 | Priority control                |
| 26 | 6 zones output, 100V                           | 27 | connector for radio antenna  | 28 | Connector for bluetooth antenna |
| 29 | Relay 12/24V input,<br>activating alarm output |    |                              |    |                                 |

# Introduction of mixing amplifiers with zones and Mp3 player

## Front panel

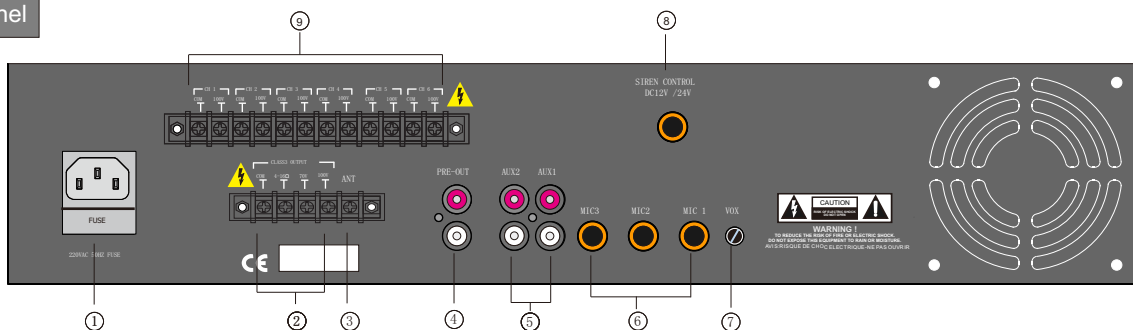


- |    |                                     |    |   |    |  |
|----|-------------------------------------|----|---|----|--|
| 1  | 3 MIC inputs with volume controller | 2  | MIC ECHO Volume controller                                  | 3  | 2 channel inputs with volume controller                      |
| 4  | Volume controller for MP3           | 5  | Low frequency gain adjustment, increase attenuation -/+10dB | 6  | High frequency gain adjustment. Increase attenuation -/+10dB |
| 7  | General output volume controller    | 8  | SD card input   | 9  | Modes(FM, Blue tooth, USB/SD)                                |
| 10 | Pause/ Play                         | 11 | Stop  | 12 | Playing modes(Single, Loop, Repeat )                         |
| 13 | Previous track                      | 14 | Next Track  | 15 | USB input  |
| 16 | Power Switch                        | 17 | LED for power   | 18 | LED for protection   |
| 19 | LED for signal level                | 20 | 6 zones with volume controller                              | 21 | Controller for alarm signal                                  |
| 22 | Controller for emergency evacuation | 23 | Controller for chime  |    |  |

### Remark:

Play Mp3, Blue tooth, FM tuner, insert USB/SD, play tracks automatically. press ( ● ) for FM, Blue tooth. Press once for FM, and press ( ● ) to search programs. It saves programs automatically. Press ( ● or ● ) to choose program. Press ( ● ) to switch to blue tooth function.  
 1. BLUE:BT NOT LINK. open blue tooth in mobile phone choose BT-SPEAER and click it to match. After it is matched, the LCD screen on amplifier shows BLUE:CONNECTTING. Open the playing APP in mobile phone, choose songs, turn up Mp3 volume, and it can play music. The effective distance is 6-10 meters.

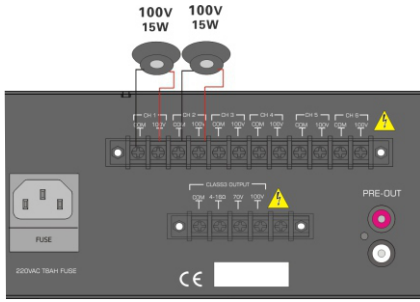
## Back panel



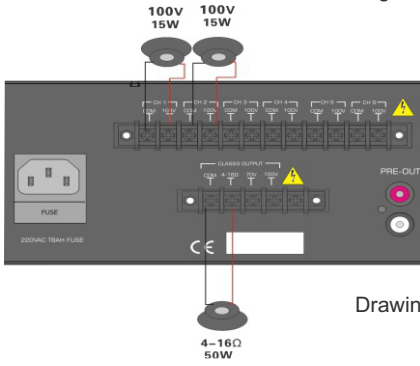
- |   |                  |   |   |   |                             |
|---|------------------|---|---|---|-----------------------------|
| 1 | AC Power input   | 2 | 4-16Ω or 70V/100V                           | 3 | connector for radio antenna |
| 4 | Signal output    | 5 | AUX input                                   | 6 | 3 MIC signal input          |
| 7 | Priority control | 8 | Relay 12/24V input, activating alarm output | 9 | 6 zones output, 100V        |

# Installation Instruction

## 100V zones output connection

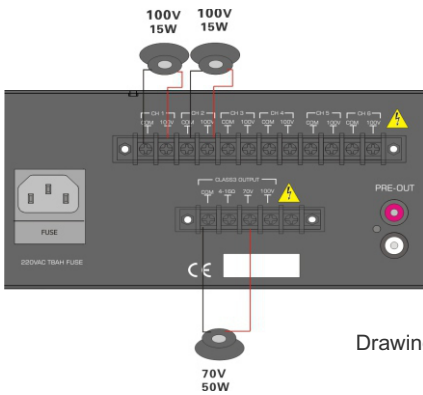


Drawing A



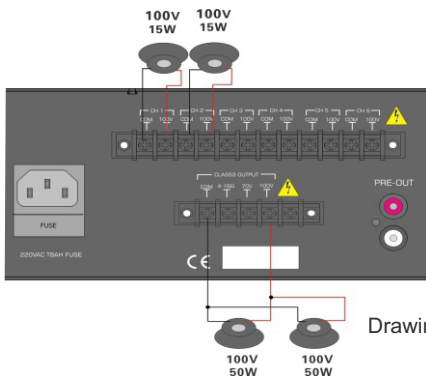
Drawing B

## 4-16Ω output connection



Drawing C

## 70V output connection



Drawing D

## 100V output connection

### Impedance after connection

4-16Ω:	60W	120W	240W	360W	480W	560W
70v output impedance:	83Ω	41Ω	20Ω	14Ω	10Ω	8.8Ω
100v output impedance:	166Ω	83Ω	42Ω	28Ω	21Ω	18Ω

Remark: after connecting speakers, measure the impedance of speaker cables to make sure it does not exceed the above impedance, otherwise it will cause malfunction for the equipment.

- 1 Drawing A shows 6 zones output connection. When connecting 6 zones, must connect positive and negative cables separately. Total speaker power can not exceed amplifier power.
- 2 Drawing B shows connection for low impedance speaker, positions for connecting 4-16Ω speakers.
- 3 Drawing C shows 70V high impedance speaker connecting position.
- 4 Drawing D shows 100V high impedance speaker connection position.

### connecting requirement

Output	output distance	60W	120W	240W	360W	480W	560W
100V	50 m	AWG26 (0.12mm <sup>2</sup> )	AWG24 (0.2mm <sup>2</sup> )	AWG22 (0.35mm <sup>2</sup> )	AWG20 (0.75mm <sup>2</sup> )	AWG18 (1.0mm <sup>2</sup> )	AWG16 (1.5mm <sup>2</sup> )
	50 m-200m	AWG24 (0.5mm <sup>2</sup> )	AWG22 (0.75mm <sup>2</sup> )	AWG20 (1.5mm <sup>2</sup> )	AWG18 (1.75mm <sup>2</sup> )	AWG16 (2.0mm <sup>2</sup> )	AWG10 (2.5mm <sup>2</sup> )
	200m	AWG20 (0.75mm <sup>2</sup> )	AWG18 (1.5mm <sup>2</sup> )	AWG13 (2.0mm <sup>2</sup> )	AWG13 (2.5mm <sup>2</sup> )	AWG10 (2.5mm <sup>2</sup> )	AWG10 (3.0mm <sup>2</sup> )
70V	50 m	AWG24 (0.2mm <sup>2</sup> )	AWG22 (0.35mm <sup>2</sup> )	AWG20 (0.75mm <sup>2</sup> )	AWG18 (1.0mm <sup>2</sup> )	AWG16 (1.5mm <sup>2</sup> )	AWG10 (2.0mm <sup>2</sup> )
	50 m-200m	AWG20 (0.75mm <sup>2</sup> )	AWG20 (1.5mm <sup>2</sup> )	AWG18 (2.5mm <sup>2</sup> )	AWG18 (2.5mm <sup>2</sup> )	AWG13 (5.0mm <sup>2</sup> )	AWG13 (5.0mm <sup>2</sup> )
	200m	AWG16 (1.5mm <sup>2</sup> )	AWG13 (2.5mm <sup>2</sup> )	AWG10 (6.0mm <sup>2</sup> )	AWG10 (6.0mm <sup>2</sup> ) <sup>2</sup>	AWG8 (10.0mm <sup>2</sup> )	AWG8 (10.0mm <sup>2</sup> )
4-8Ω	10 m	AWG18 (0.75mm <sup>2</sup> )	AWG18 (0.75mm <sup>2</sup> )	AWG18 (0.75mm <sup>2</sup> )	AWG8 (1.0mm <sup>2</sup> ) <sup>2</sup>	AWG16 (1.25mm <sup>2</sup> )	AWG16 (1.25mm <sup>2</sup> )
	10 m-30m	AWG13 (2.5mm <sup>2</sup> )	AWG13 (2.5mm <sup>2</sup> )	AWG13 (2.5mm <sup>2</sup> )	AWG13 (0.75mm <sup>2</sup> )	AWG10 (0.75mm <sup>2</sup> )	AWG8 (0.75mm <sup>2</sup> )
Above 30m							

## Product Specification

### Model:

Input A/C power voltage:	AC210-240V 50Hz				
Rated consuming power:	215W	550W	850W	1150W	1350W
A/C Fuse:	4A	5A	6.3A	8A	12A
4-16Ω:	120W	250W	350W	450W	550W
70v Output Impedance:	33.5Ω	20Ω	14Ω	11Ω	8.5Ω
100v Output Impedance:	67Ω	40Ω	28.5Ω	22Ω	17Ω
Frequency Response:	20KHz -60Hz <-1dB>				
THD:	100VOUT<-3dB> 0.5%				
AUX INPUT:	300mV				
MIC INPUT:	4mV				
S/N Ratio:	>80dB				
PEC OUT:	650mV-750mV				
Dimension:	483mm×88mm×320mm				
Weight:	10kg	12kg	13.5kg	14.5kg	17.5kg