

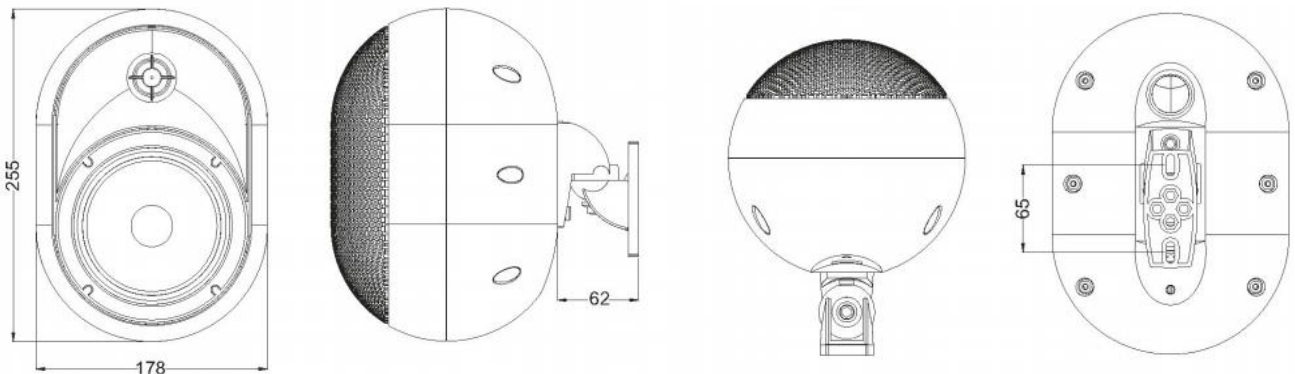
SP-WS530T
Waterproof Wall Mount Speaker



Features:

- Waterproof IP55 Wall Mount Speaker
- Ideal for indoor outdoor BGM and paging system
- With Transformer for the system of 100V
- Power Taps: 30W/15W/7.5W/3.75W, 4Ω

Specifications:



Model No.	SP-WS530T
Rated Power	30W
Power Taps	30W/15W/7.5W/3.75W & 4Ω
Line voltage	100V
Sensitivity	88 ± 3dB
Frequency Response	60-20KHz
Speaker Unit	5" woofer + 1" tweeter
Dimension	178*236*255mm
Material	HIPS
Net Weight	2.38KG
Color	White/Black