

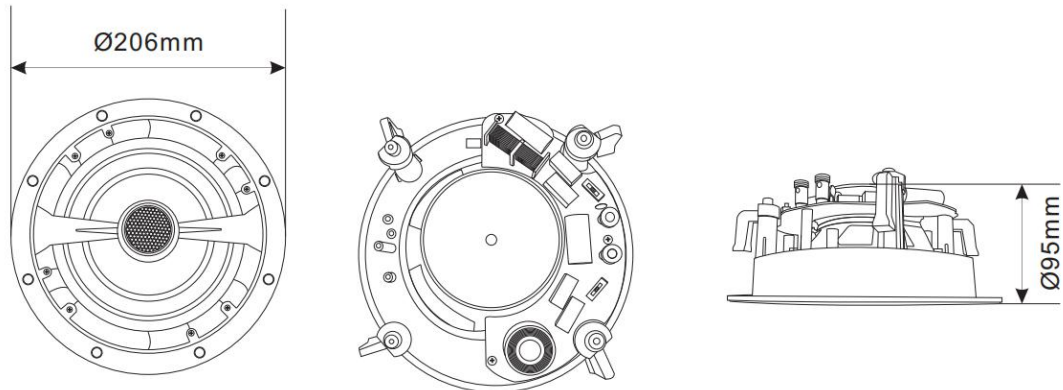
**SP-FCL525**  
**Frameless Ceiling Speaker 25W**



**Main Features:**

- Frameless Narrow Edge Shell in Fashion Design
- Power Output: RMS 25W, MAX 50W
- Fast-fix solution (dog-leg design)
- Magnetic front grille
- Woofer: 5.25" Woven Cone , Tweeter: 0.75" Titanium Dome
- Perfect for high-end commercial audio sound system

**Specifications:**



Model	SP-FCL525
Rated Power	25W
Max Power	50W
Input Impedance	8ohm
Sensitivity(1M/1W)	86±3dB
Frequency Response	50Hz-18KHz
Speaker Unit	5.25"*1+0.75"*1
Material	ABS+Metal Grille
Cutout Size	Φ168mm ~ Φ180mm
Product Dimension	Φ206*95mm
Net Weight	1.16KG