

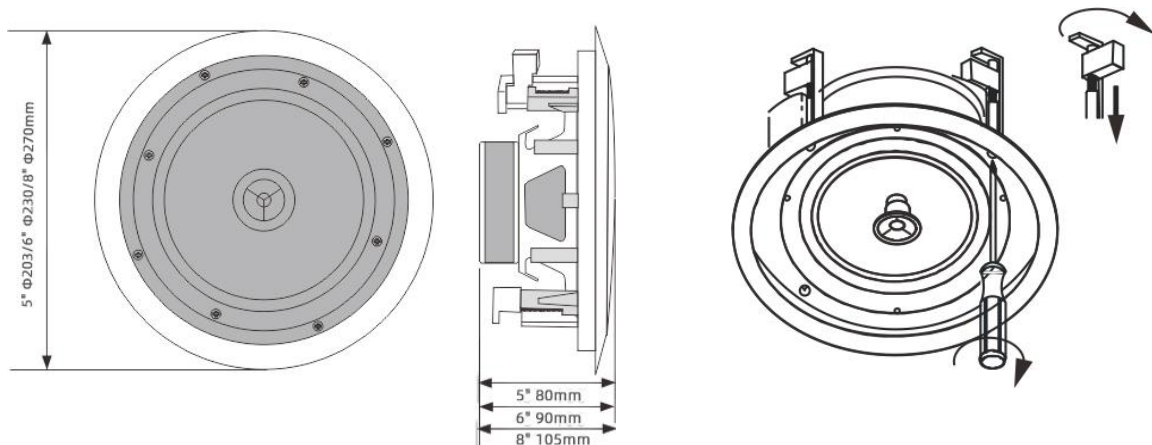
SP-CR520/630/840
2 Way Coaxial Ceiling Speaker 20W/30W/40W



Features:

- Two way Coaxial Ceiling speaker System
- Three sizes are available: 5"*1+1",6"*1+1"*1,8"*1+1"*1
- PP cone woofer,dome tweeter
- Fixed Resistance Input: 8Ω
- Material: ABS

Specifications:



Model No.	SP-CR520	SP-CR630	SP-CR840
Rated Power	20W	30W	40W
Resistance Input	8ohm	8ohm	8ohm
Sensitivity	88 ± 3dB	90±3 dB	93 ± 3dB
Frequency Response	100Hz-20KHz	90Hz-20KHz	60Hz-20KHz
Speaker Unit	5"*1+1"*1	6"*1+1"*1	8"*1+1"*1
Material	ABS	ABS	ABS
Dimension(diameter)	Φ170mm	Φ200mm	Φ240mm
Product Size	Φ203*80mm	Φ230*90mm	Φ270*105mm
Net Weight	1.25KG	1.60KG	2.10KG